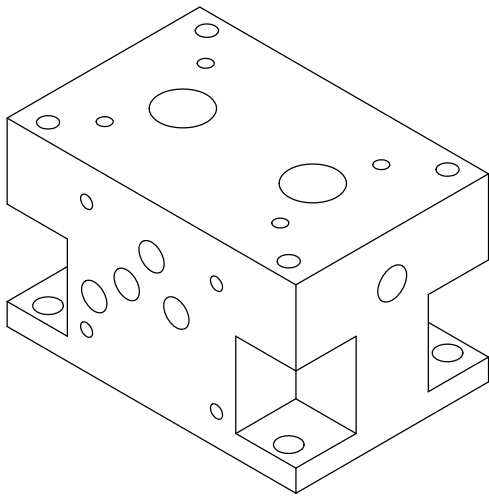
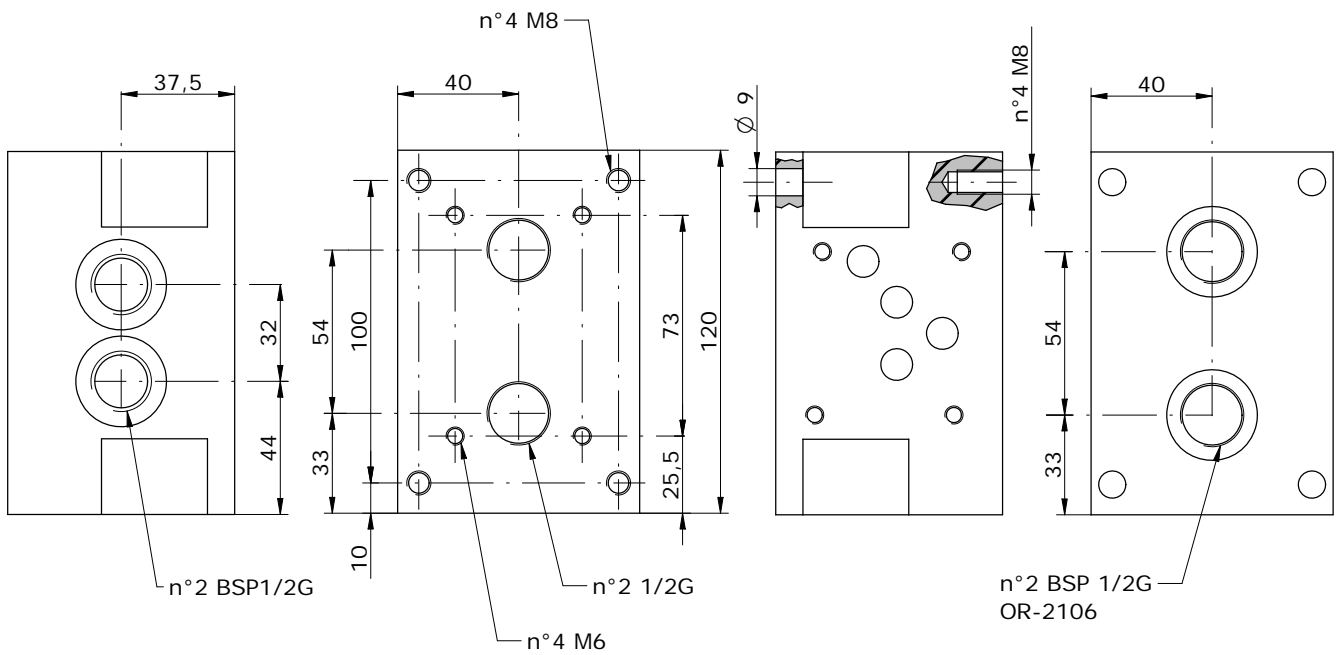
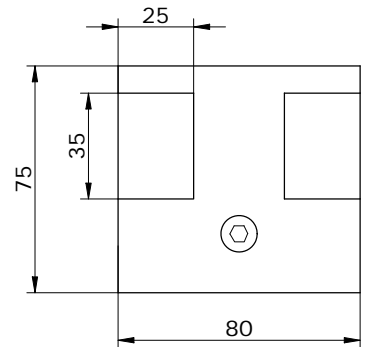
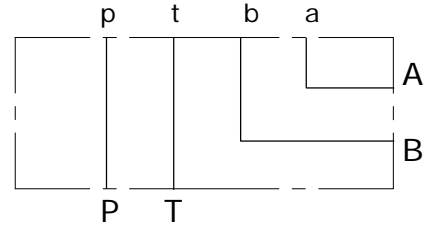


**ELEMENTO COMPONENTE CETOP 5, A-B POSTERIORI 1/2" BSP
MODULAR PLATE FOR PACKING CETOP 5, A-B 1/2" BSP BACK**



Schema idraulico
Hydraulic diagram



E_ 610 - 30 - 12

S = STEEL
A = ALUMINUM